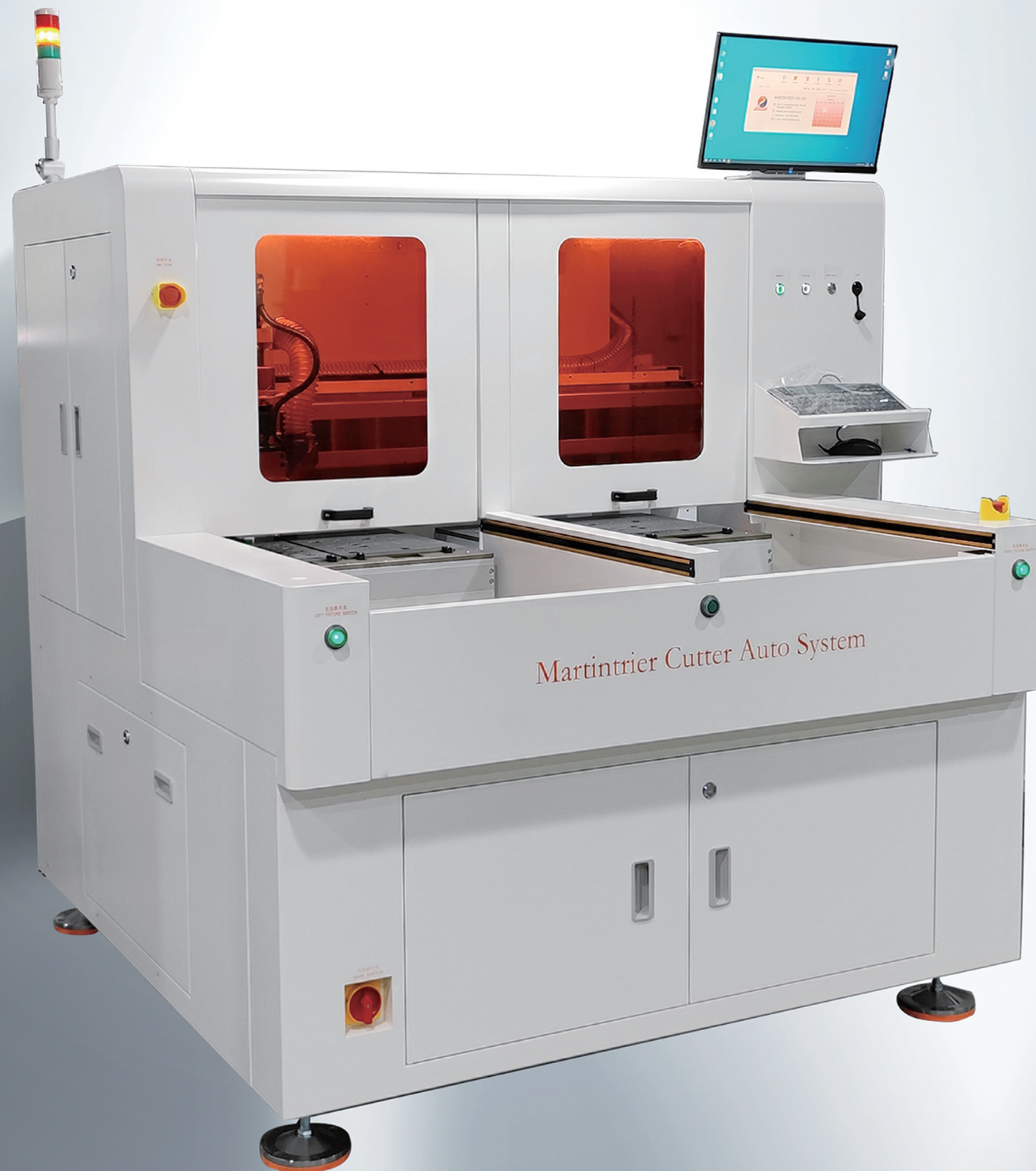




# R20P/R20X

## PCB SEPARATOR CUT MACHINE



### Features

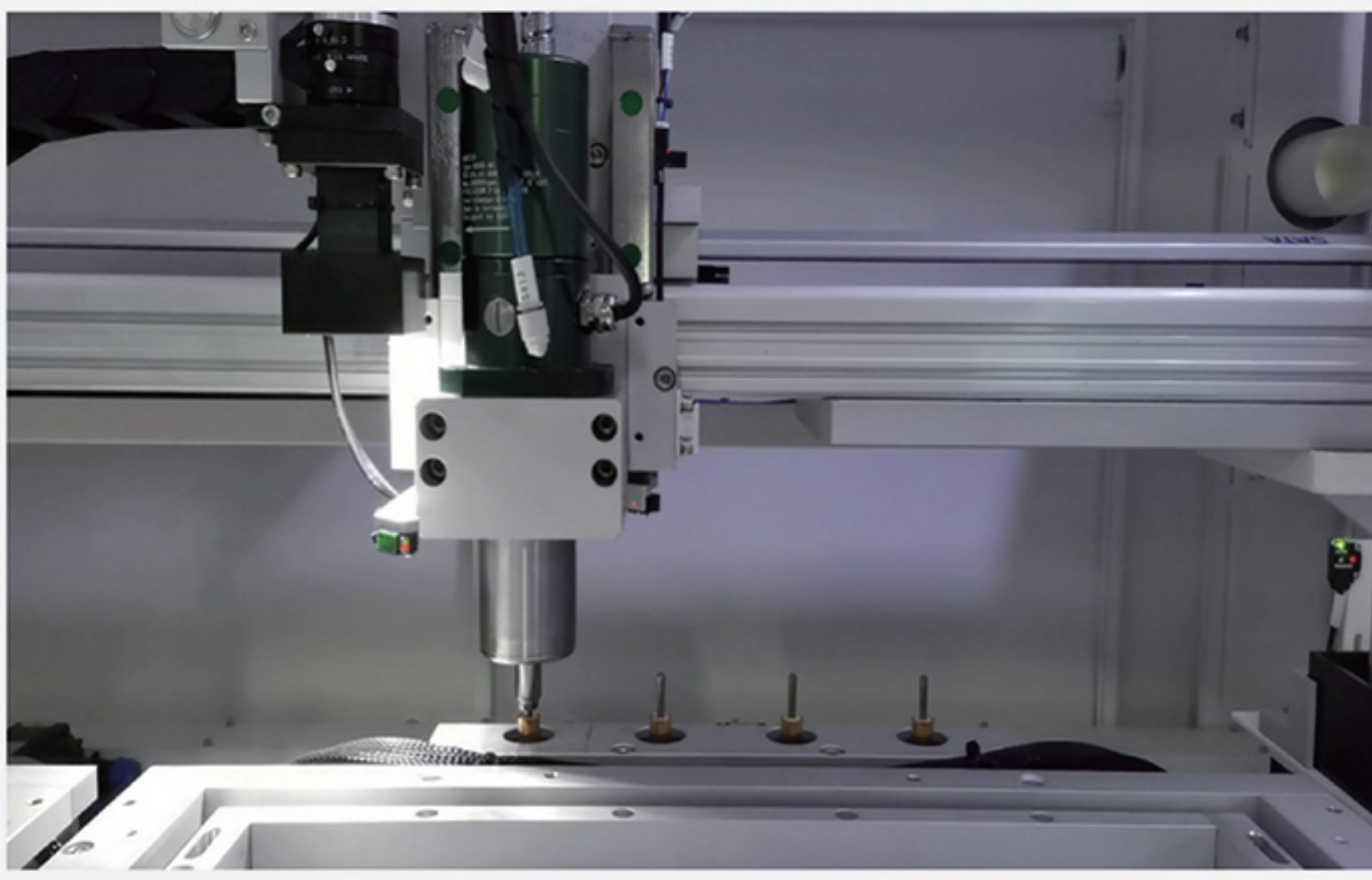
- Dual Working Station
- Image Orientation Program
- Moveable Z Axis Camera
- Cutter Existing Sensor
- Fixture Adaptor

### Options

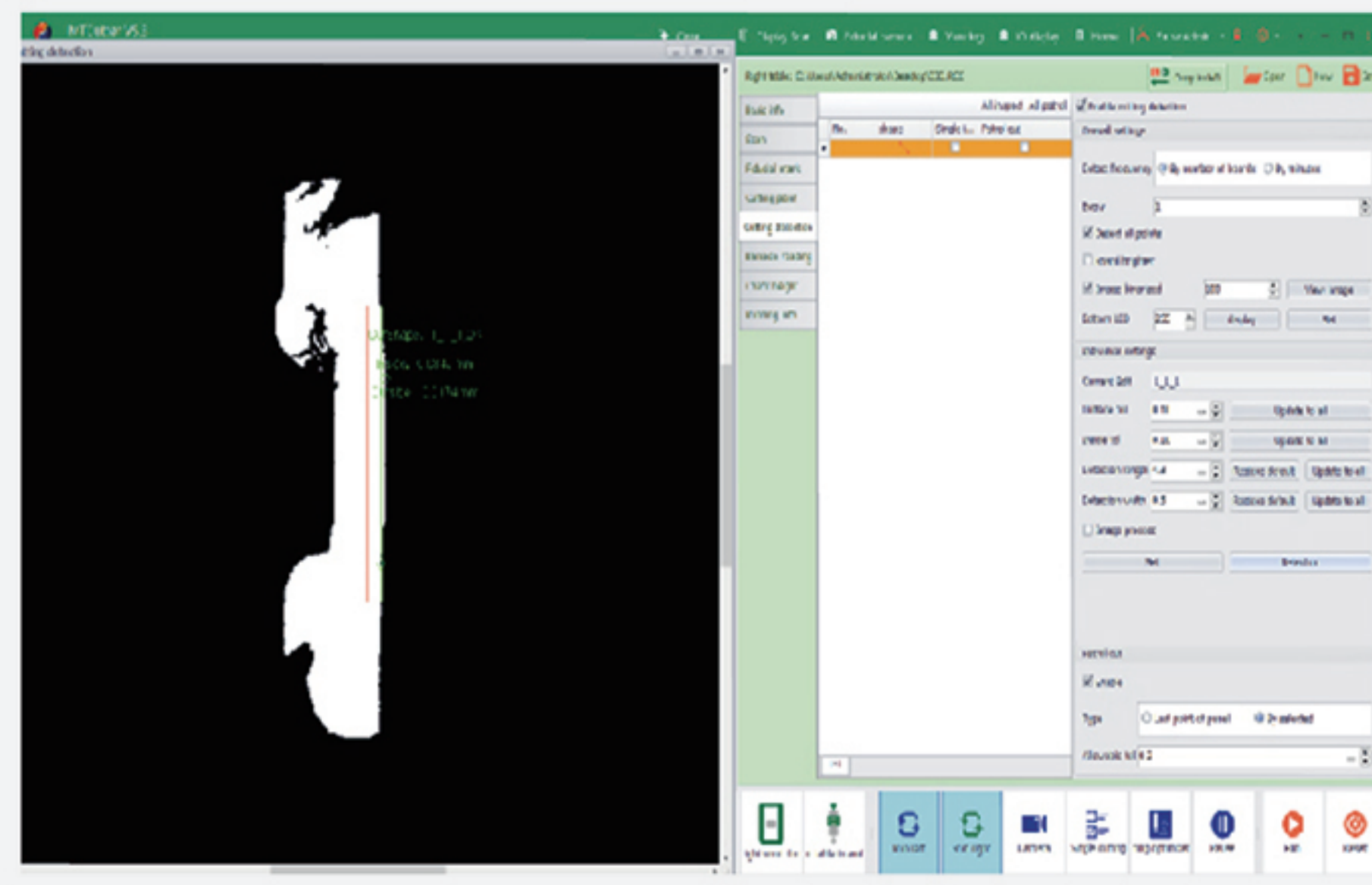
- Cutting Points Inspection
- Cutter Diameter Sensor
- Dual Spindle
- MES/ERP Connection
- Bad Mark Recognition

# Technical Specification

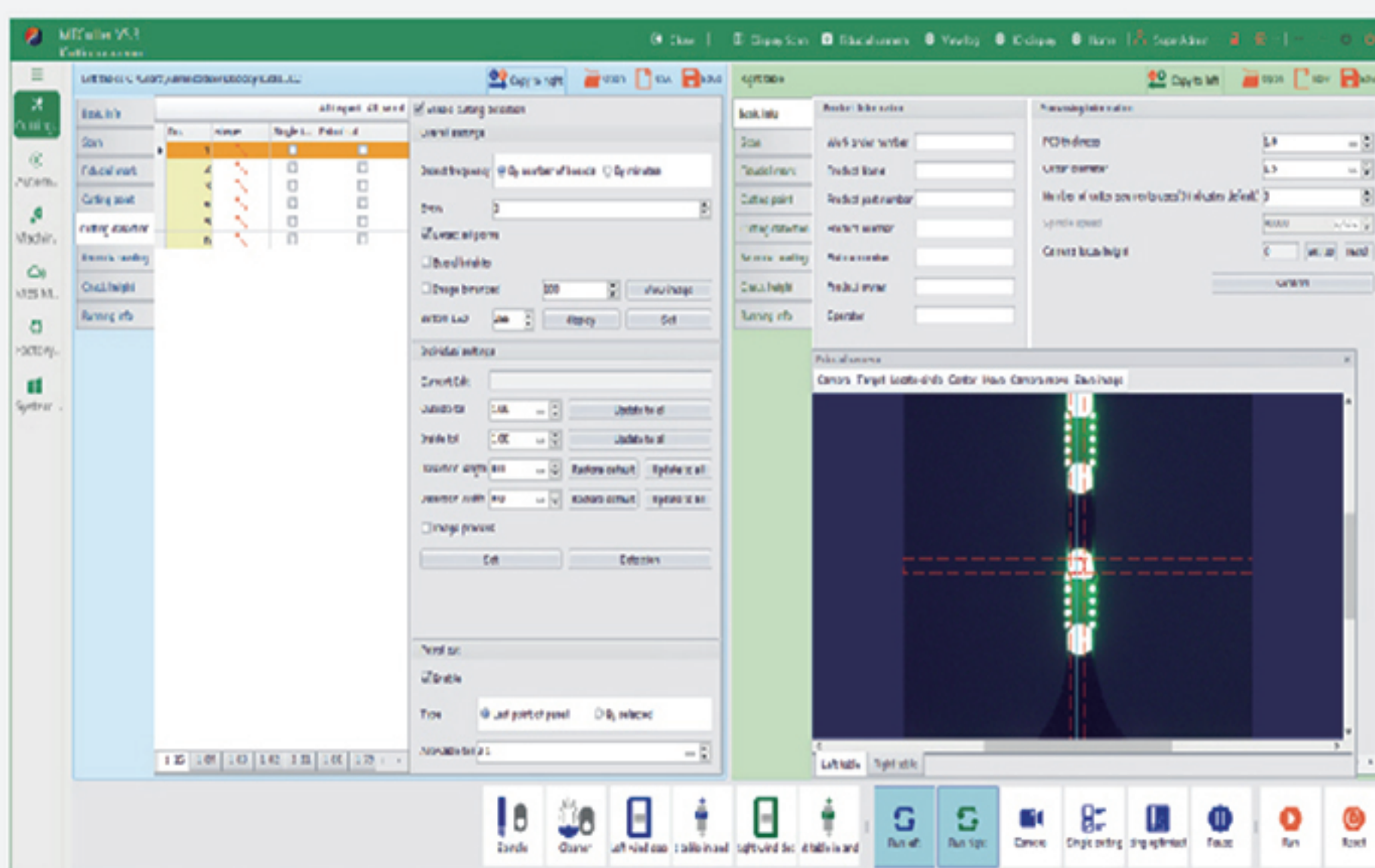
Items	R20P	R20X
Working Mode	Offline, Dual Tables	
Routing Mode	Straight Line, Curve, Arc	
Vision	High Resolution CCD Automatic Alignment	
Max Panel Size	450*350mm	520*500mm
Max Panel Thickness	3.0mm	
Max Panel Weight	5kg	
Repeatability	±0.02mm	
Accuracy	±0.05mm	
Component Clearance	40mm	
Milling Tool Diameter	0.8-3.0mm	
Spindle Speed	Max 80,000 rpm	
X, Y Cutting Speed	0-100mm/s AC Servo	
Power Supply (Host)	220V, 50Hz, 1 Phase	
Dust Collector	Upper/Lower	
Special Kit for IMS PCB	Not Support	Optional
Dimension (W*D*H)	1666*1533*1587mm	1745*1579.50*1542mm
Net Weight	840kg	930kg



Cutter Exchange Station



Routing Quality Inspection



Edge Cutting Compensation

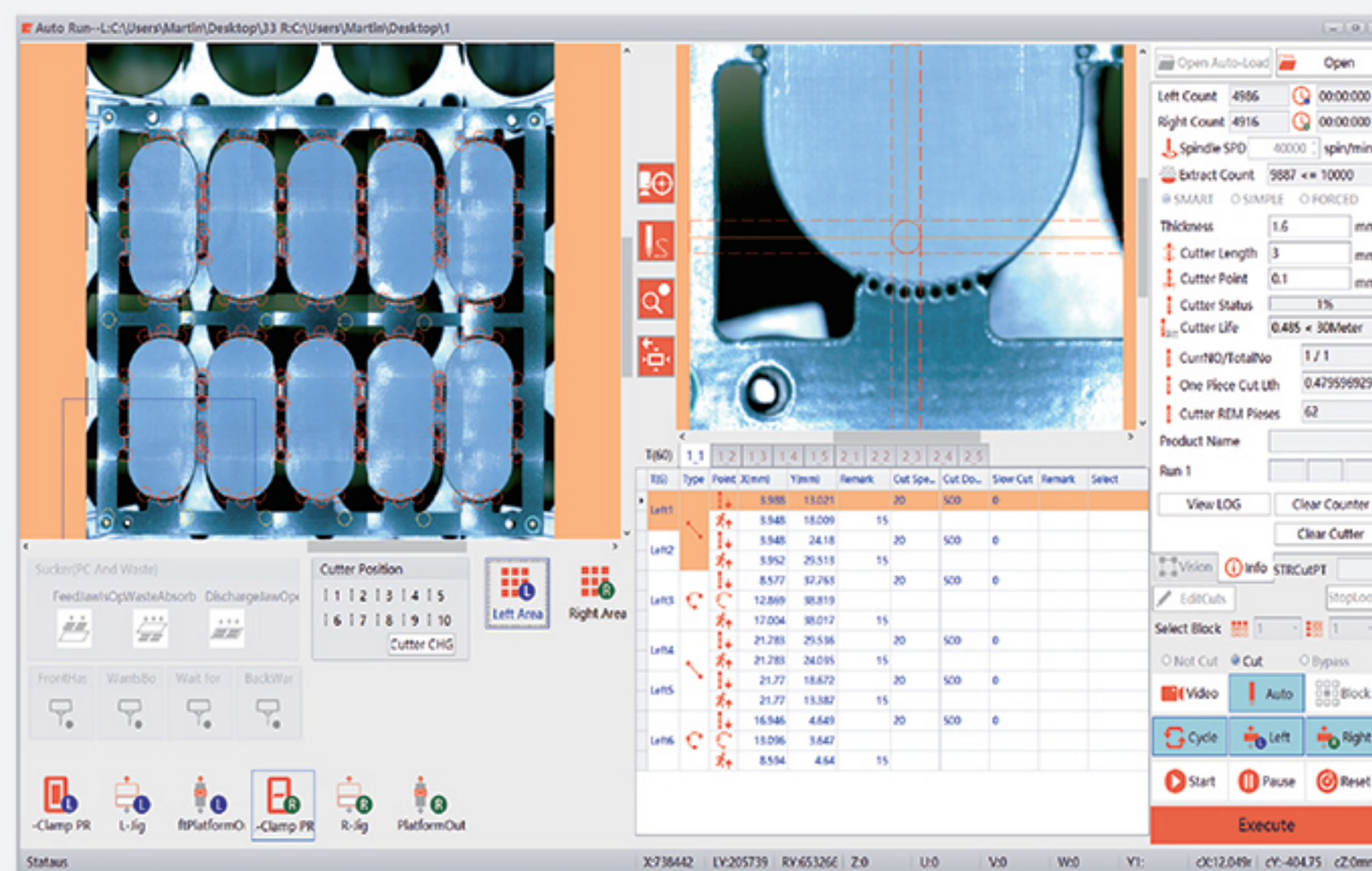
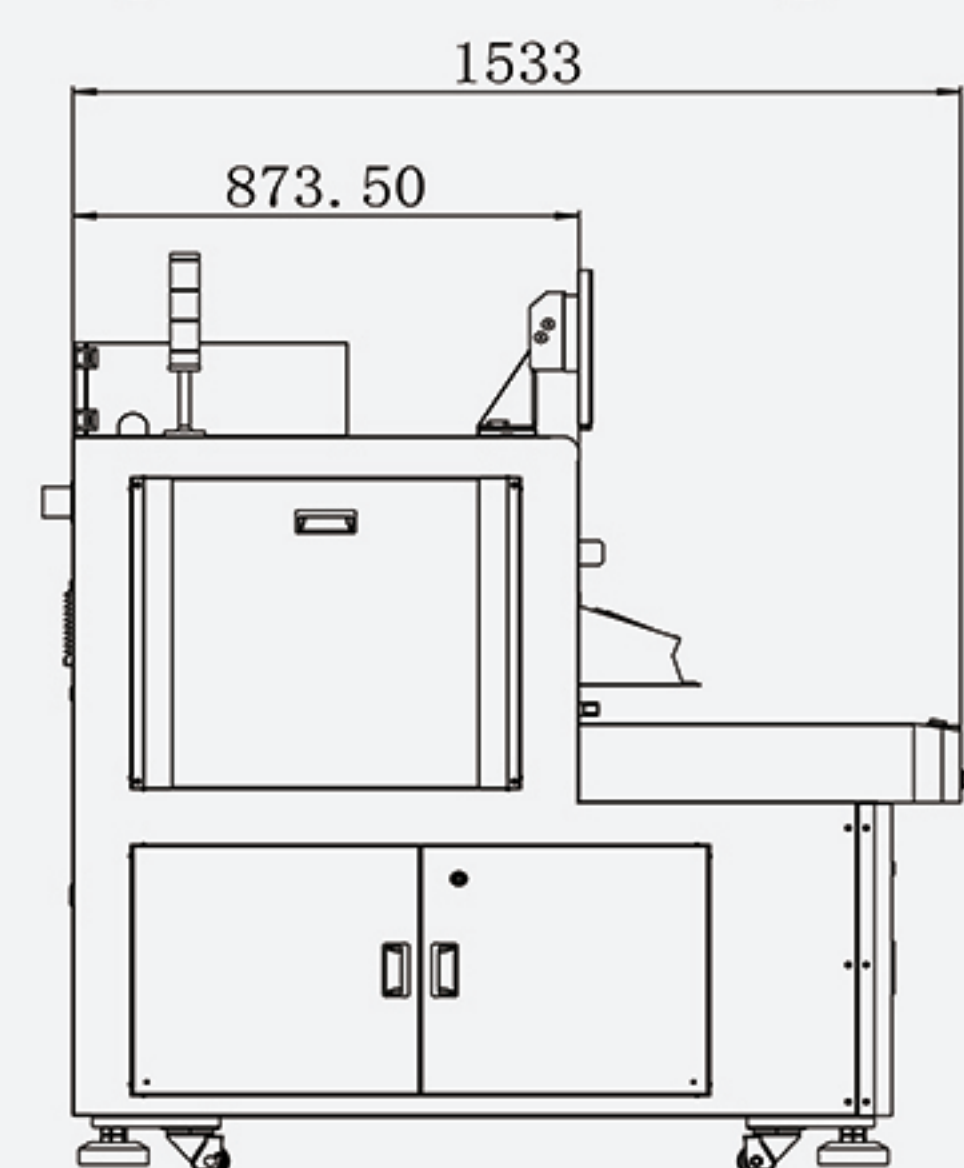
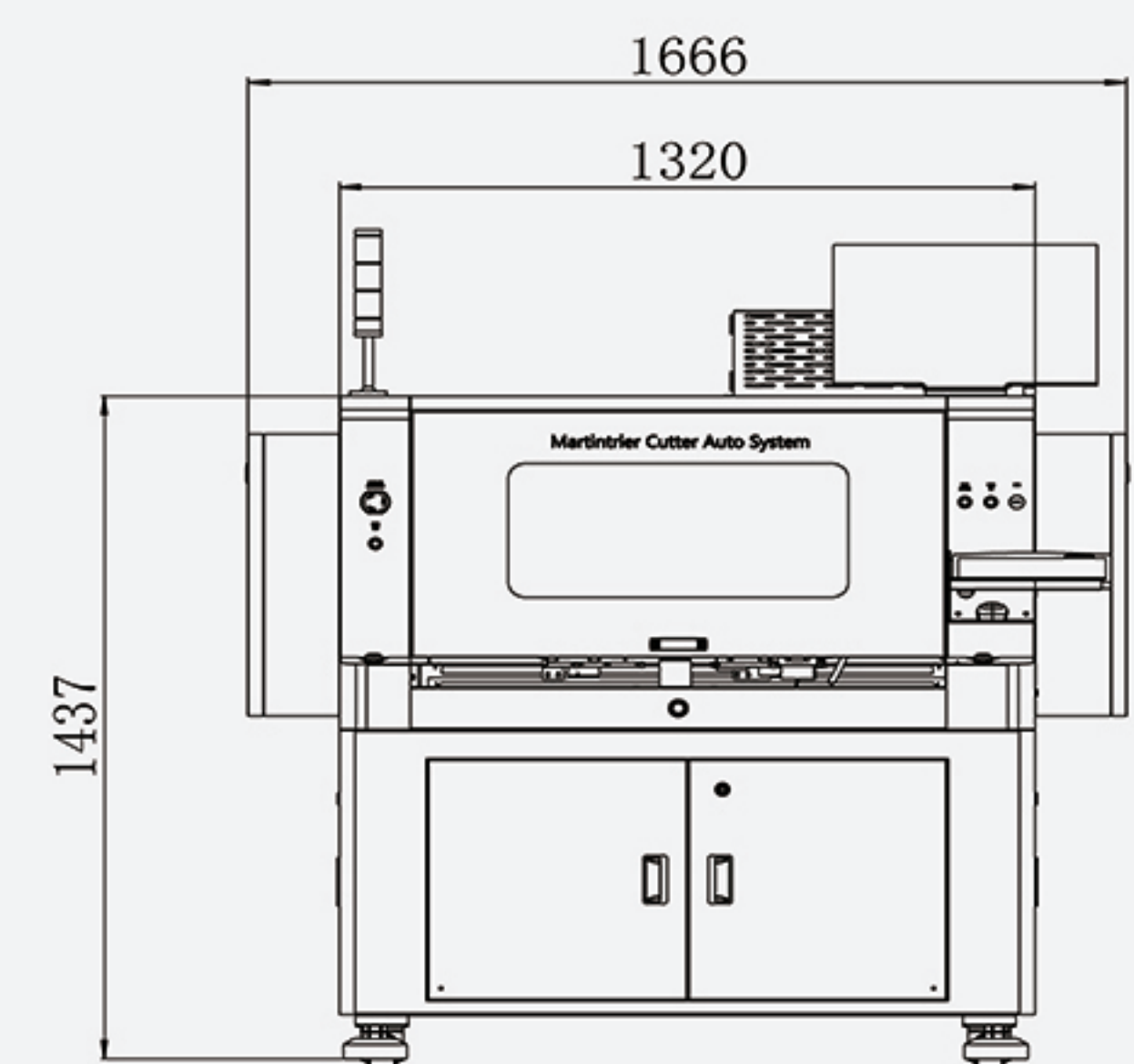
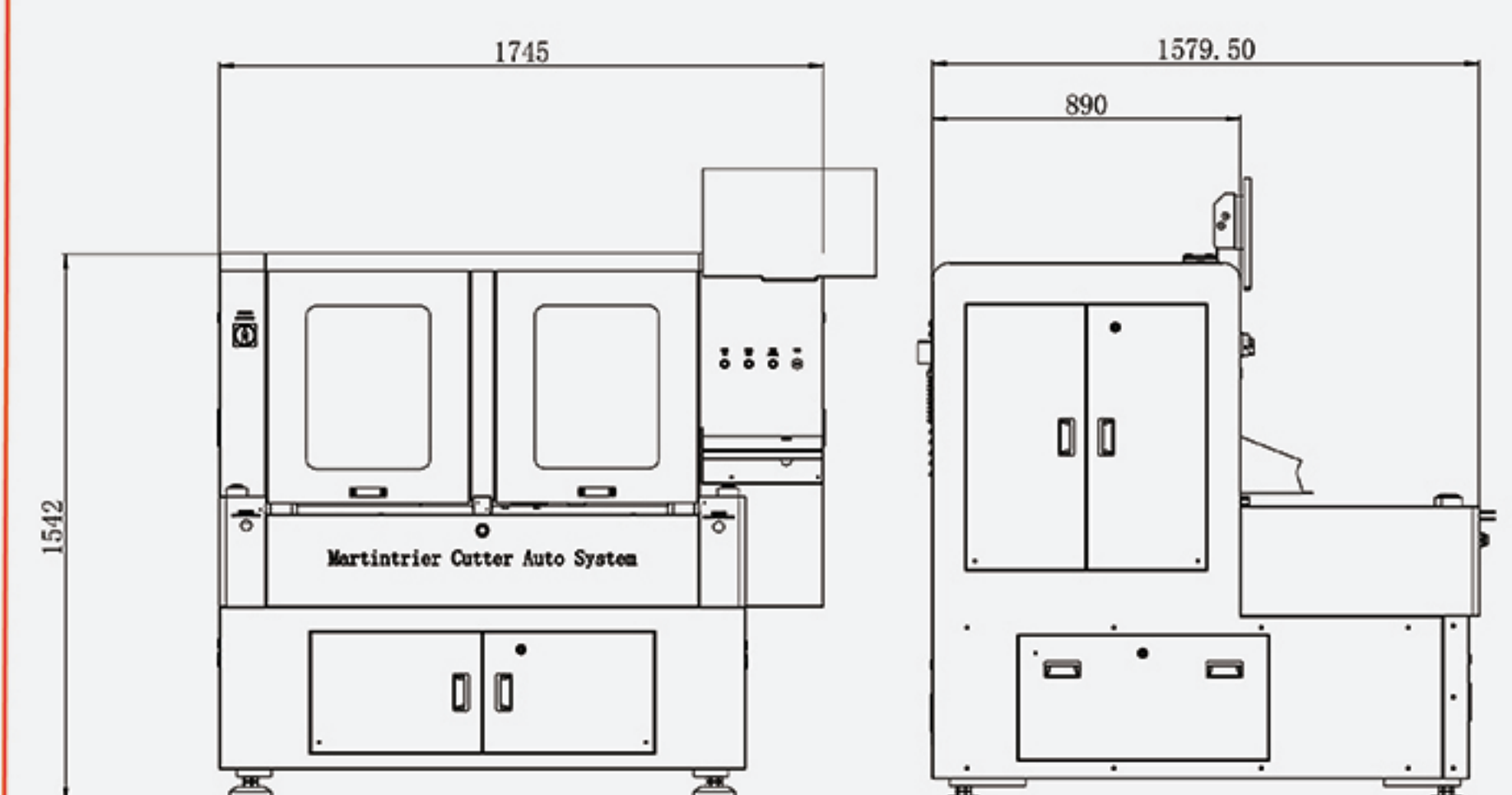


Image Orientation Programming

## Dimension(mm) (R20P)



## Dimension(mm) (R20X)



Specifications subject to change.  
For requirements outside standard scope, please consult our sales team.



[www.martintrier.com](http://www.martintrier.com) / [www.martintrier-smt.com](http://www.martintrier-smt.com)

[hello@martintrier.com](mailto:hello@martintrier.com)

8 Lorong Bakar Batu  
#06-08 Singapore 348743

